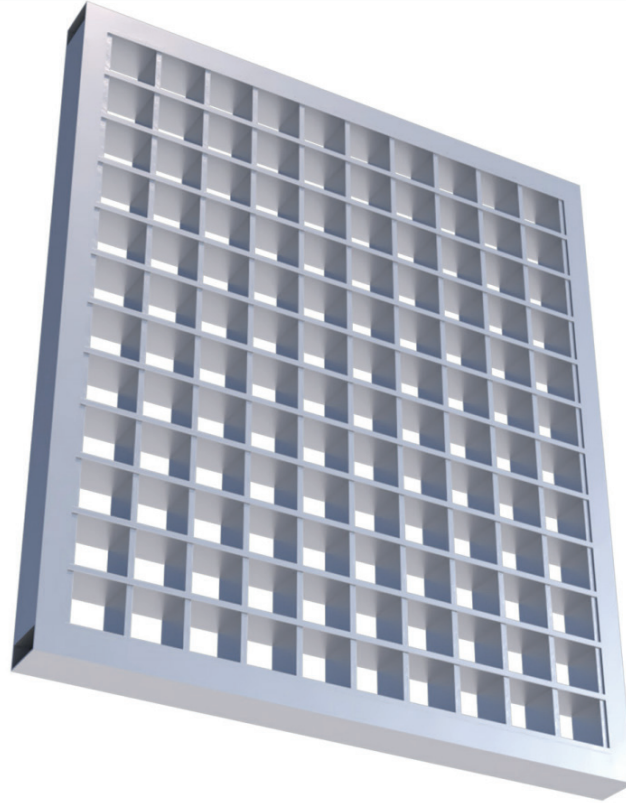
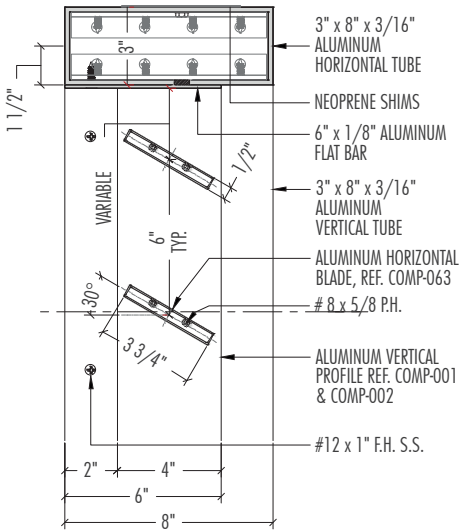


## BLADES

The blades are 6063-T6 extruded aluminum. 0.05" nominal wall thickness. The space between centers of the blades may vary according to client needs.



## MINIMUM LOUVER SIZE

Dimensions: 12" W x 12" H Area: 1 sqft.

## MAXIMUM LOUVER SIZE

Dimensions: 120" W x 60" H or 120" H x 60" W (Single Section) Area: 50 sqft.

## FINISHES

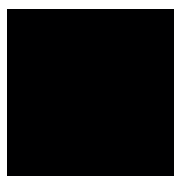
ESMETALS standard Duranar colors are the following:  
Two coats: Primer and color coat:

## STANDARD FEATURES

- Stainless Steel Hardware
- Available in Blank-Off Panels (Standard or Insulated)
- Assortment of bird and insect screens in removable frame (inside mounted, rear)



Bone White  
UC43350



Black  
UC40577



Arcadia Silver  
UC70123F



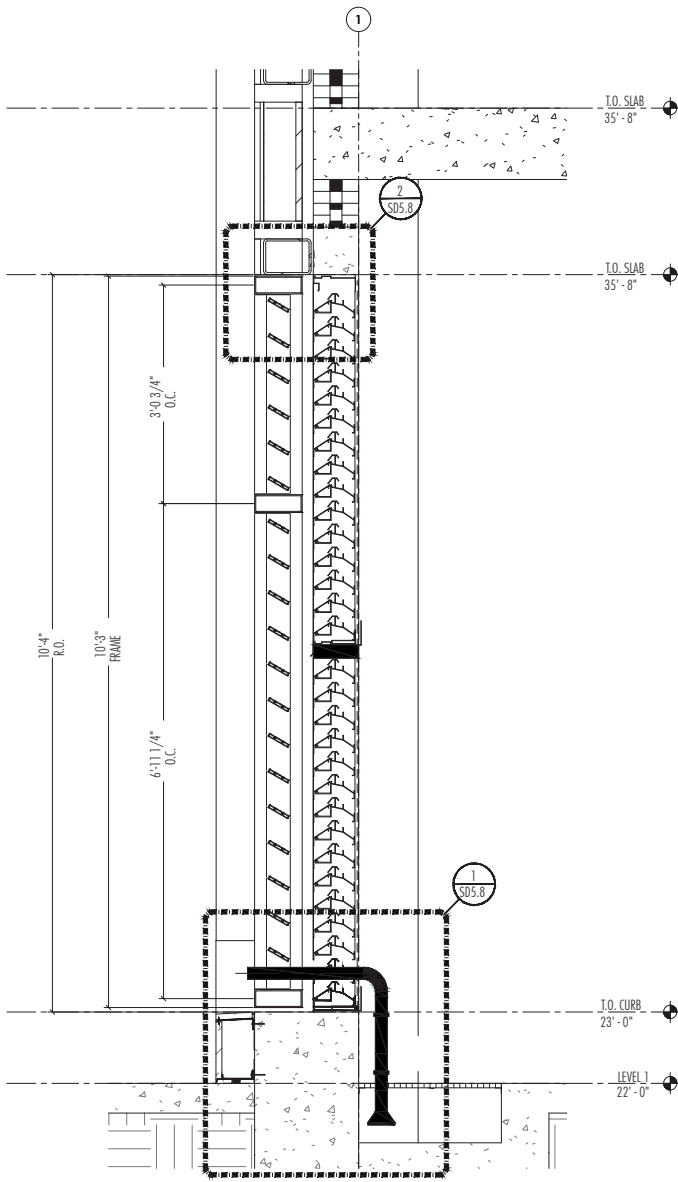
Silverstorm  
UC106685F



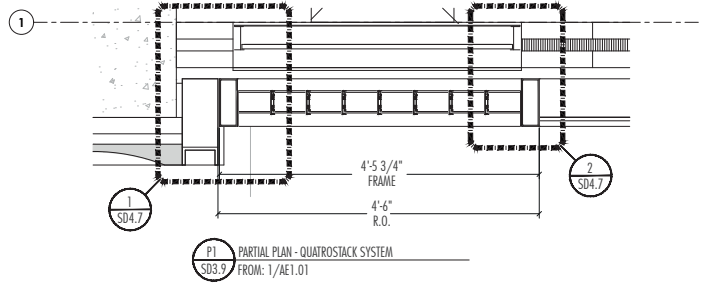
Bermuda Bronze  
UC105262



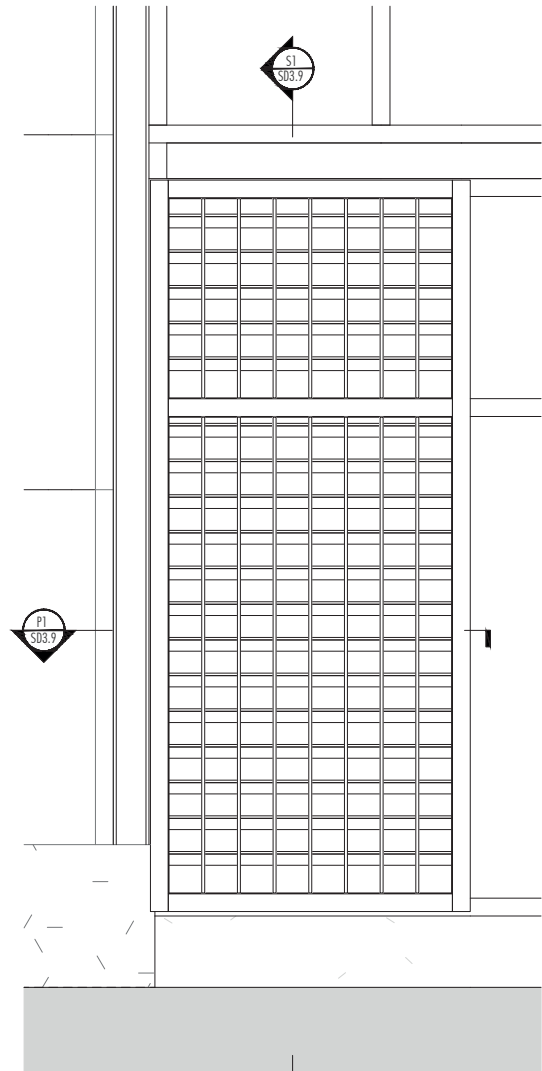
Note: Please refer to our sales team at [info@es-metals.com](mailto:info@es-metals.com) for any additional colors.



S1 PARTIAL SECTION - QUATROSTACK SYSTEM  
SD3.9 FROM: 5/AE3.28



P1 PARTIAL PLAN - QUATROSTACK SYSTEM  
SD3.9 FROM: 1/AE1.01



N-3 PARTIAL EAST ELEVATION - QUATROSTACK SYSTEM  
SD3.9 FROM: 2/AE2.02