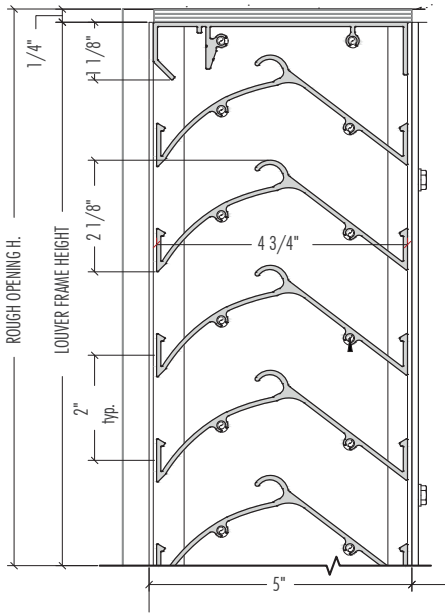


# ESM-5LS

## IMPACT RESISTANT LOUVER (FLORIDA APPROVED)

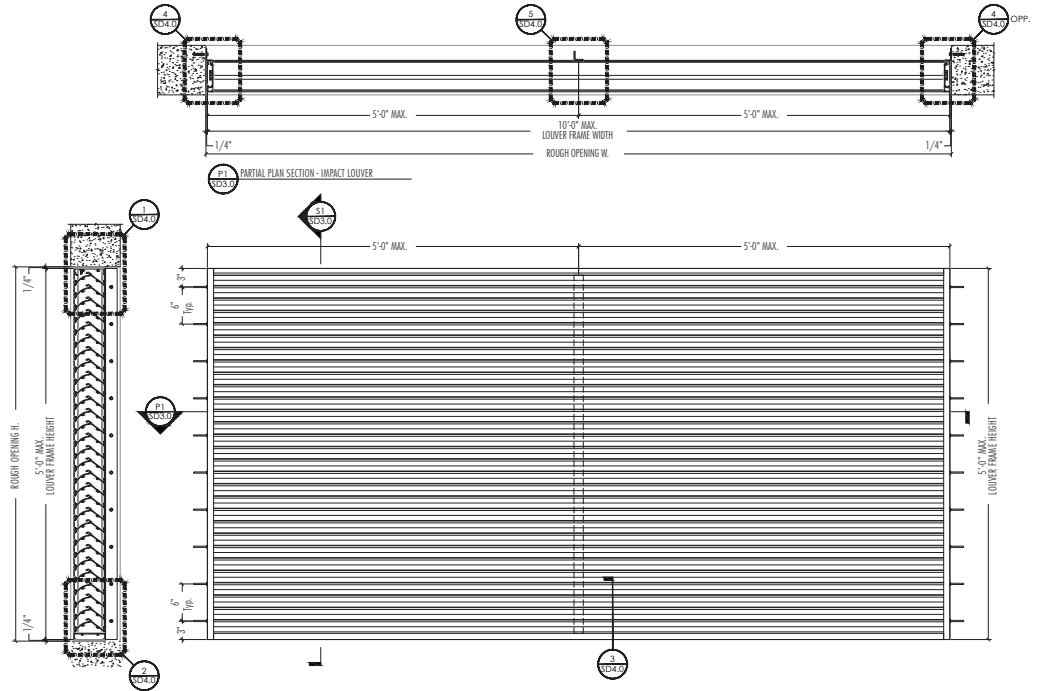
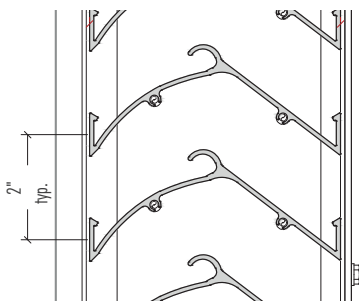
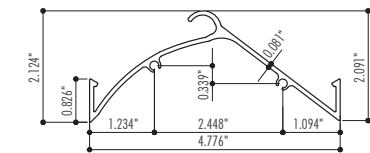
### FRAME

The frame is 5" deep, 6063-T6 extruded aluminum. 0.081" nominal wall thickness.



### BLADES

The blades are 6063-T6 extruded aluminum. 0.081" nominal wall thickness. Double Drainable, sight-proof blades spaced 2" on center.



### MINIMUM LOUVER SIZE

Dimensions: 12" W x 12" H Area: 1 sqft.

### MAXIMUM LOUVER SIZE

Dimensions: 120" W x 60" H or 120" H x 60" W (Single Section) Area: 50 sqft.

Louvers exceeding maximum single section will built in multiple sections

### MAX DESIGN PRESSURE

150 PSF

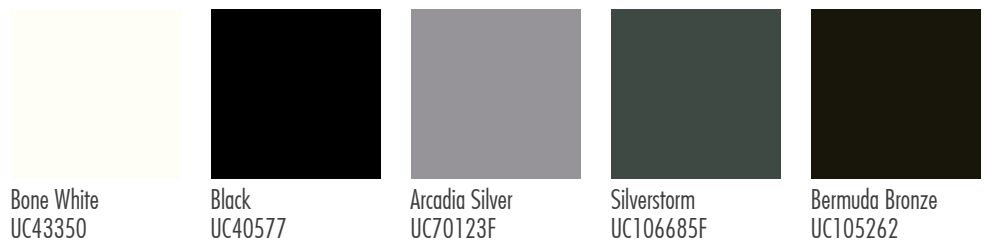
### STANDARD FEATURES

- Hurricane Resistant
- Stainless Steel Hardware

### FINISHES

ESMETALS standard Duranar colors are the following:

Two coats: Primer and color coat:



Note: Please refer to our sales team at [info@es-metals.com](mailto:info@es-metals.com) for any additional colors.



### OPTIONAL ACCESSORIES

- Options available at additional cost include:
- Available in Blank-Off Panels (Standard or Insulated)
  - Assortment of bird and insect screens in removable frame (inside mounted, rear)

FREE AREA CHART (Free area chart shows free area in %)

		HEIGHT									
		12	24	36	48	60	72	84	96	108	120
WIDTH	12	38%	43%	45%	46%	46%	47%	47%	47%	47%	47%
	24	42%	47%	49%	50%	51%	51%	51%	52%	52%	52%
	36	43%	49%	51%	52%	52%	53%	53%	53%	53%	54%
	48	44%	50%	52%	53%	53%	54%	54%	54%	54%	54%
	60	44%	50%	52%	53%	54%	54%	54%	54%	55%	55%
	72	44%	50%	52%	53%	54%	54%	55%	55%	55%	55%
	84	45%	51%	53%	54%	54%	55%	55%	55%	55%	55%
	96	45%	51%	53%	54%	54%	55%	55%	55%	55%	55%
	108	45%	51%	53%	54%	54%	55%	55%	55%	55%	56%
	120	45%	51%	53%	54%	55%	55%	55%	55%	56%	56%